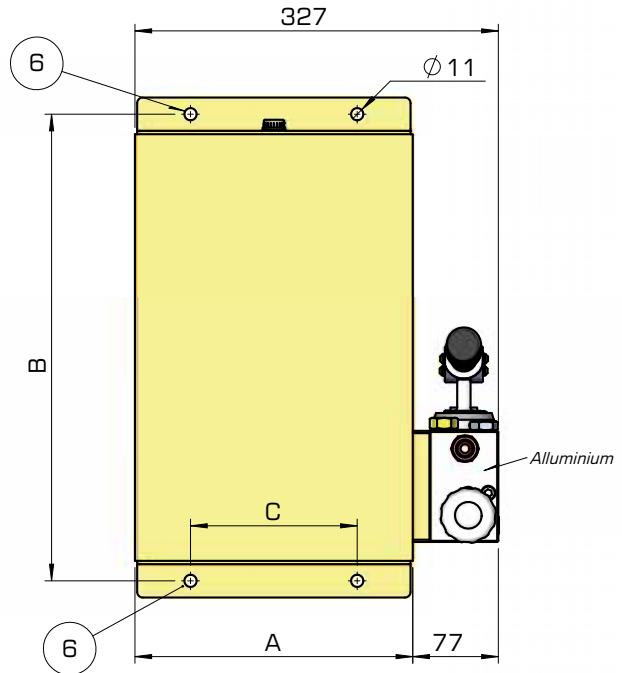
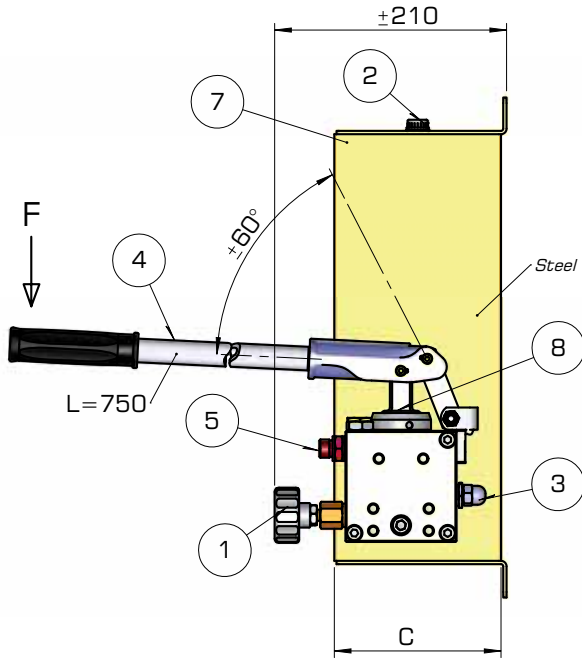
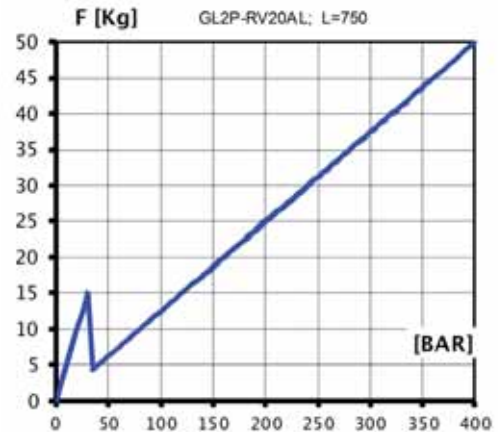
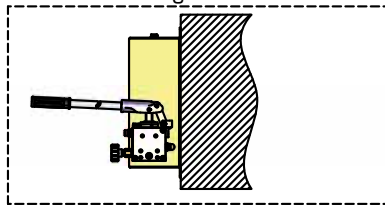


Hydraulic Hand Pump Type GL 2P-RV20AL-13LLV

Two speed single acting function pump for single acting cylinder

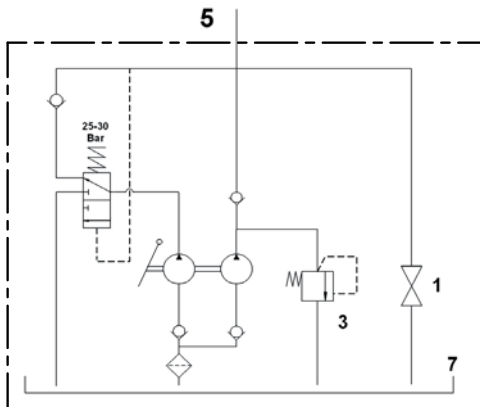


Working Position:

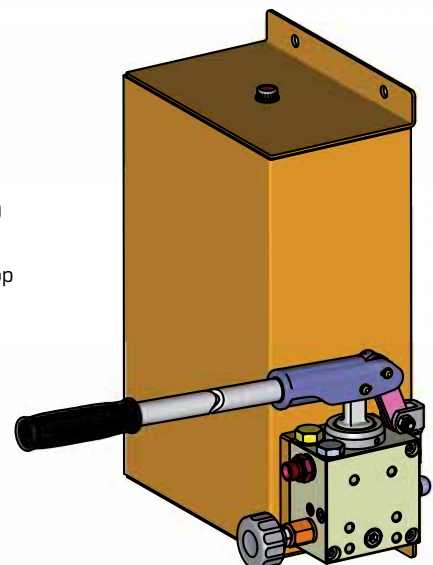


Code	A	B	C	Tank	Weight
GL2P-RV20AL-13LLV	250	420	150	13L	~14Kg

TYPE	DELIVERY cc	PRESSURE Bar
1 st Speed	24	~25
2 nd Speed	8	200



- 1 Release Handknob
- 2 Filler Plug (TCZS-38-IA-GP)
- 3 Relief Pressure Setting
- 4 Action Lever
- 5 Pressure Port 3/8"Gas bspp
- 6 Fixing holes
- 7 Tank
- 8 Scraper



Dimensions and characteristics not binding. Modifications reserved without prior notice.