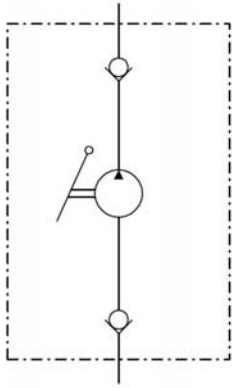
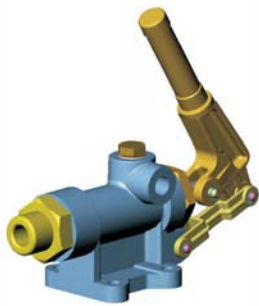


Hydraulic Hand Pump Type **GL (20-45)** Double stroke function



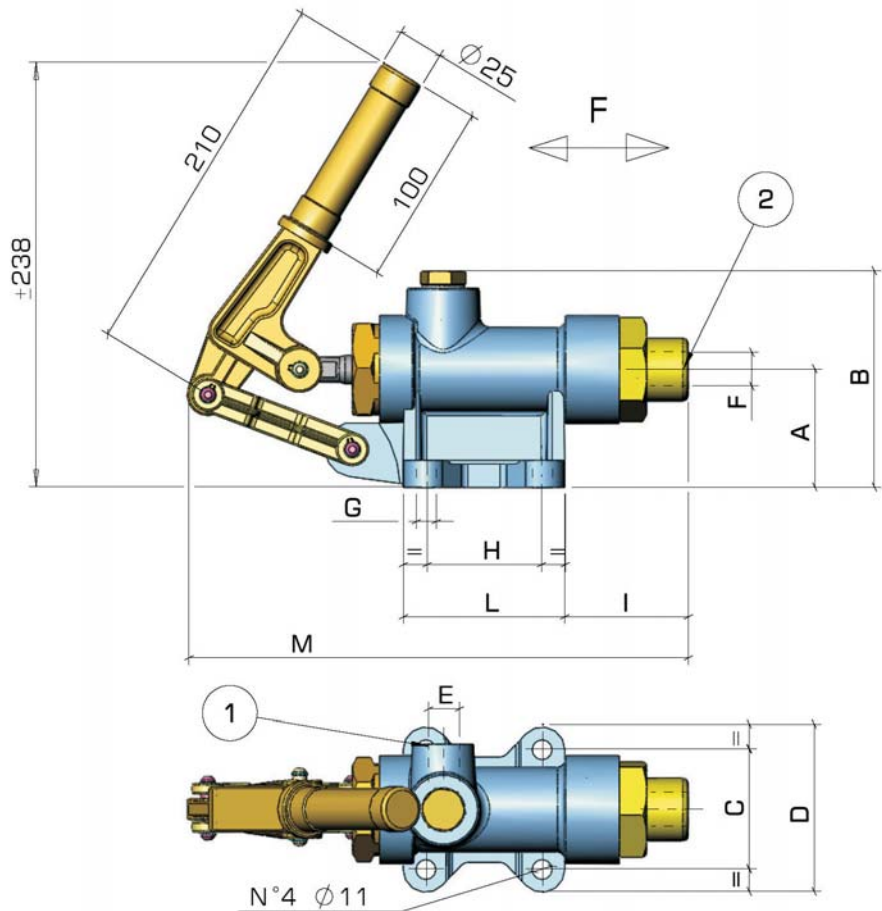
Weight Kg. ~ 5,3 - 6,5

1 Pressure port
2 Suction



Mounting :

Any position.



TYPE	A	B	C	D	E	F	G	H	I	L	M
GL 20-25-28-30-35	67	120	66	95	3/8" gas	1/2" gas	11	63	68	89	285
GL 40-45	71	137	71	102	1/2" gas	1/2" gas	11	73	71	104	295

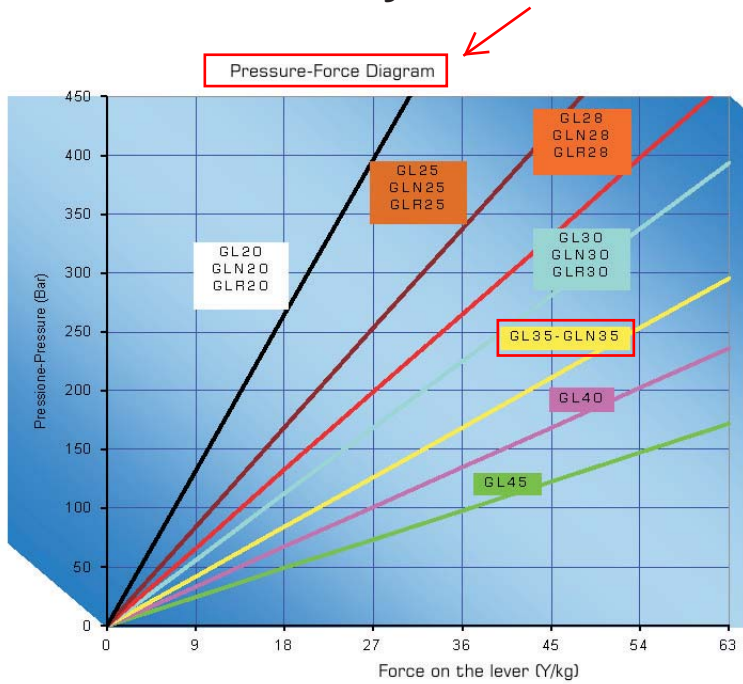
TYPE	DELIVERY Cc	PRESSURE Bar
GL 20	18	460
GL 25*	29	320
GL 28	36	250
GL 30	42	220
GL 35*	57	160
GL 40*	87	120
GL 45	111	90

* Authorized by the Italian Ministry of Mercantile Marine with Nr. 47/1988 and 48/1988.

* Authorized Italian Navy Register (RINA) nr. 17874.

Dimensions and characteristics not binding. Modifications reserved without prior notice.

Hydraulic Hand Pumps

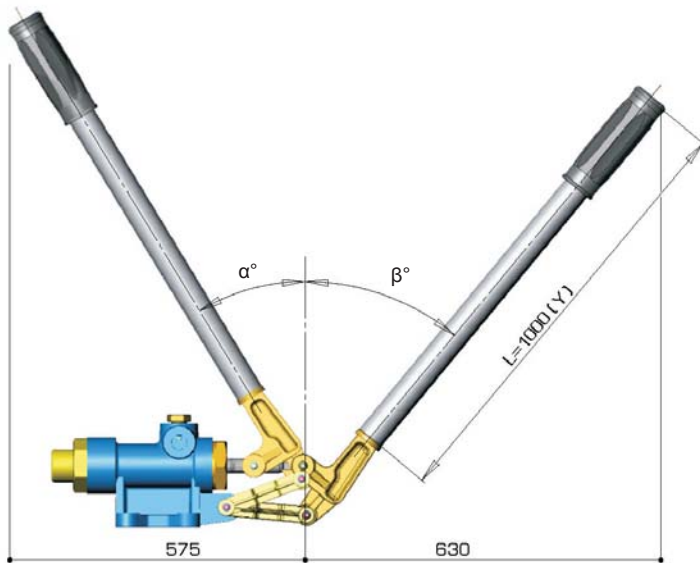


The hand-pumps of the GL-series are manufactured on most modern CNC-machines and by using accurately selected raw materials. The production in large series and the highest quality controls confirm them on the highest world level for products of this type of construction. Their application is in various fields: as emergency or auxiliary pump in mobile or industrial hydraulics; as main pump in the high pressure technology for: material testing, hoisting, levelling, block-technology, cutting machines, presses, etc. The surface treatment are: powder painting (std RAL 5015) with furnace drying at 200° for bodies and yellow zinc-coated for other external part.

Double acting function: symbol \longleftrightarrow
The lever must be actuated forwards+backwards in order to obtain the shown delivery (cm³)

Single acting function: symbol \longrightarrow
The shown delivery (cm³) is obtained by actuating the pedal/lever in one direction only

Conversion Table	
S. I.	
1mm * 10 ⁻³ = 1m	1mm * 0.039 = 1in
1Kg * 9.81 = 1N	1Kg * 0.457 = 1lb
1Bar * 10 ⁻⁵ = 1N/m ² (pa)	1Bar * 14.286 = 1psi
1L * 10 ⁻³ = 1m ³	1L * 0.061 = 1in ³
1Cm ³ /A * 10 ⁻⁶ = 1m ³ /A	1Cm ³ /A * 0.061 = 1in ³ /A
A = Cycle	



Pump type	α°	β°
GL 20-25-28-30-35	34	38
GL 40-45	30	55

Dimensions and characteristics not binding. Modifications reserved without prior notice.